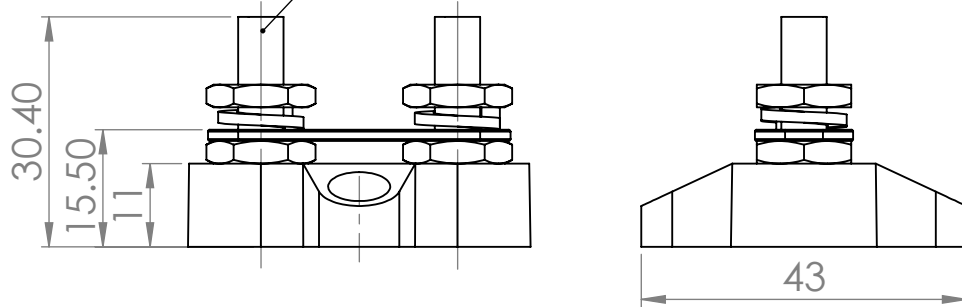


Scope of Application
 Provides compact busing for
 - high-ampere conductors

Screw Size Available in: M6, M8



Materials:
 Base material : flame retardant plastic
 Stud material : stainless steel
 Stud Nut material : tin plated brass
 Spring Washer material : stainless steel
 Shakeproof Washers material : stainless steel
 Link material : tin plated brass

Electrical Specifications:
 Rating is determined by wire amperage capacity.

Modify	Date	Revision		Approval	No.	Item#	Part#	Rev.	0
Size	0.5-6	>6-30	>30-120	>120-400		Title	Insulated studs	Unit	m/m
Tol	+/-0.05	+/-0.1	+/-0.15	+/-0.2					