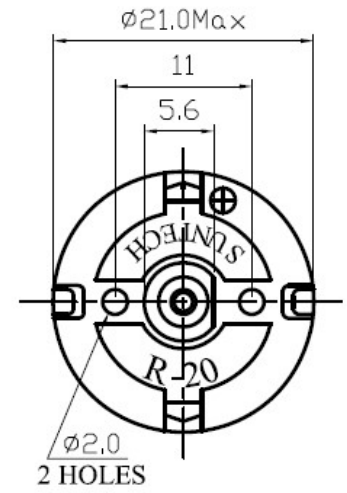
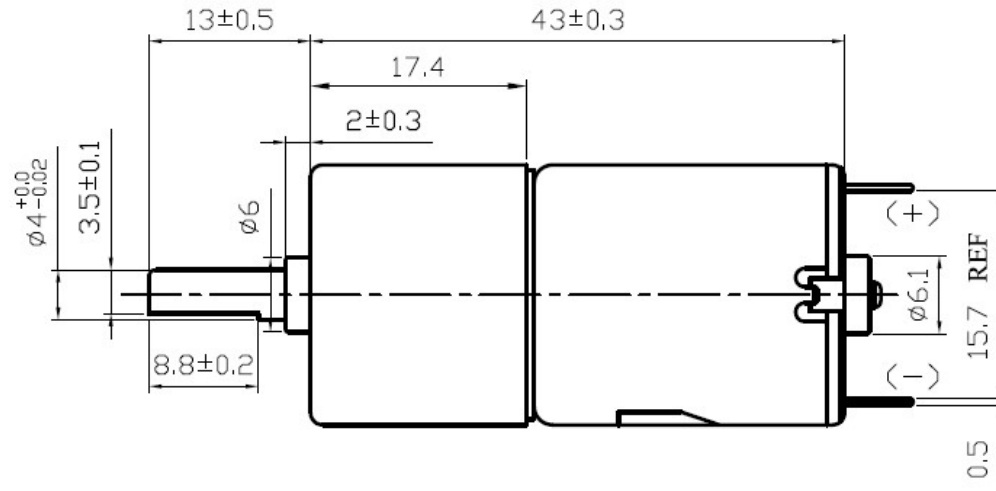
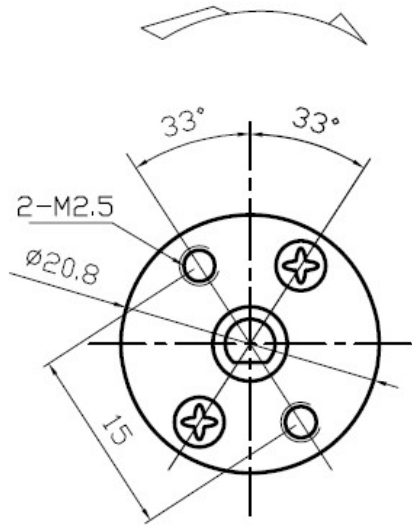
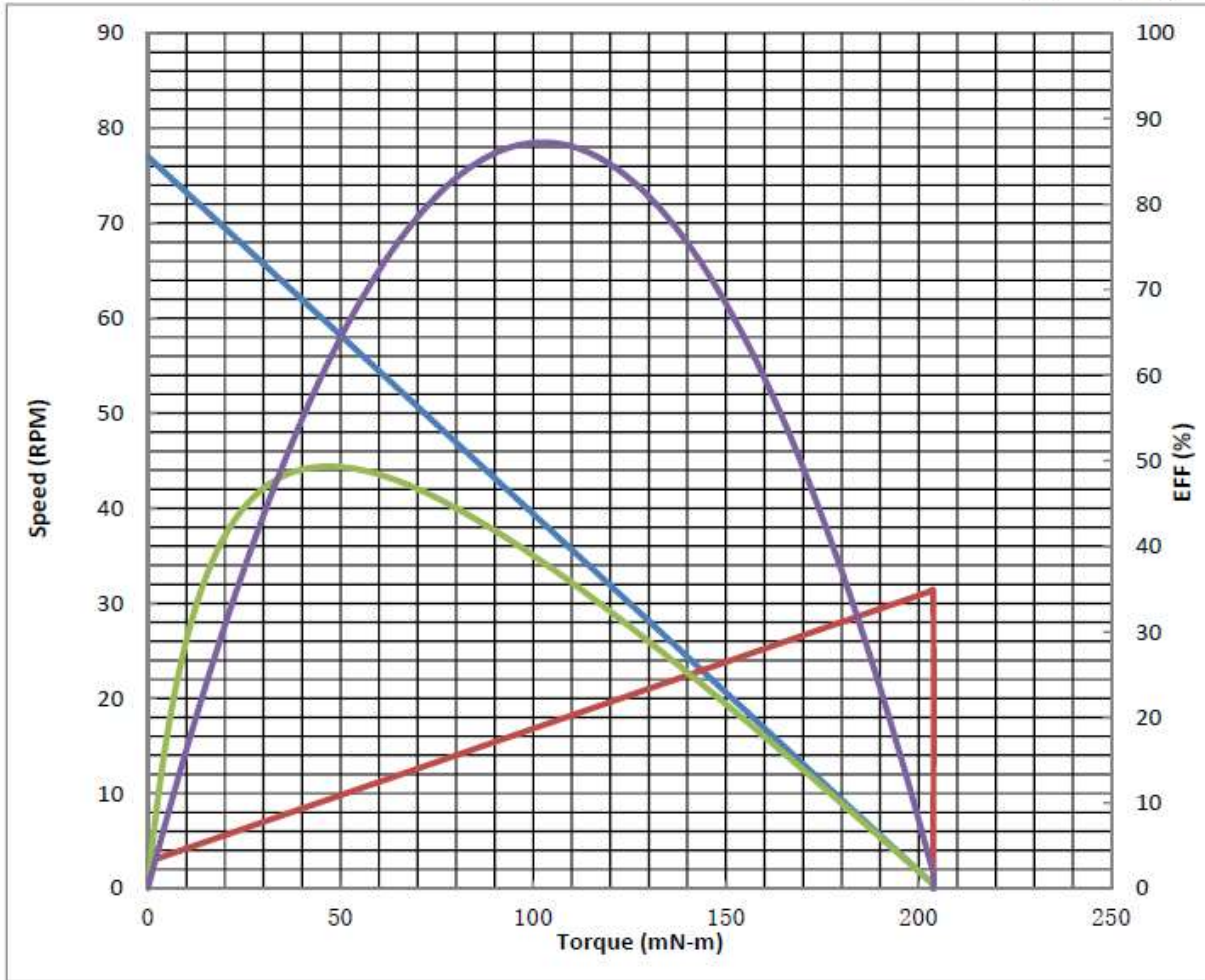


DIRECTION OF ROTATION



Date : 2020.02.20

Full scale : — 100 % Eff
— 1.0 Watts
— 1.0 Amp.



Performance (in an ambient temperature of 25-30 ° C)

Motor tested rapidly to prevent significant temperature rise.

At a constant voltage of : 12.00 Volts
 Direction: CW

At No Load

Speed : 77 RPM
 Current : 0.031 AMPS

At stall (Extrapolated)

Torque : 204.82 mN-m
 Current : 0.350 AMPS

At maximum efficiency

Efficiency: 49.3 %
 Torque : 46.976 mN-m
 Speed : 59 RPM
 Current : 0.104 AMPS
 Output : 0.62 Watts

At maximum Power output

Output : 0.872 Watts
 Torque : 102.411 mN-m
 Speed : 46 RPM
 Current : 0.16 AMPS

Characteristics

Torque constant : 642.074 mN-m/AMP
 E.M.F. constant : 67.204 mV/rad/sec
 Dynamic resistance: 34.2857 Ohms
 Motor regulation : 0.38 RPM/mN-m

Issued by QA Reliability Testing Center

COMPUTER PRINT-OUT
 NOMINAL MOTOR CURVES
 Performance and characteristics
 are measured based on limited
 motor samples only