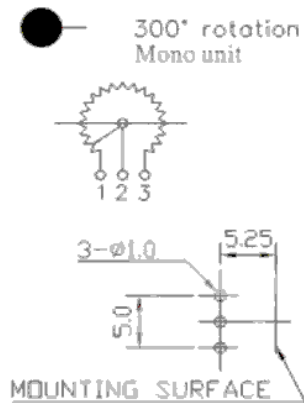
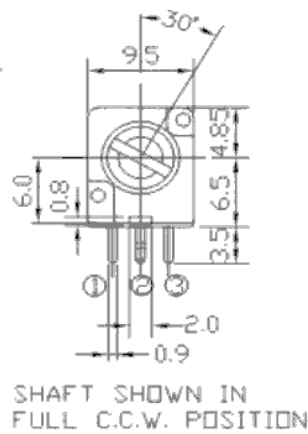
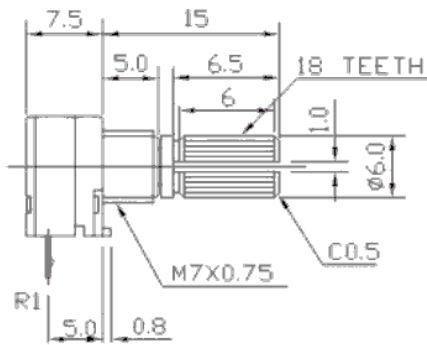


9mm Potentiometer

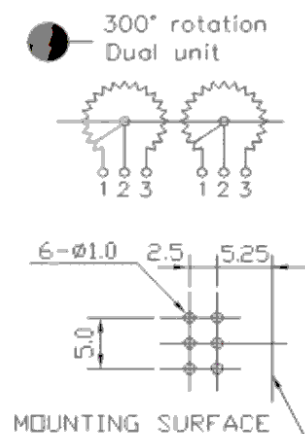
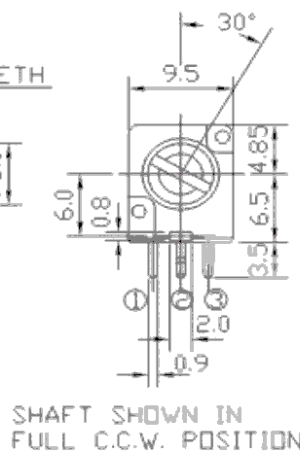
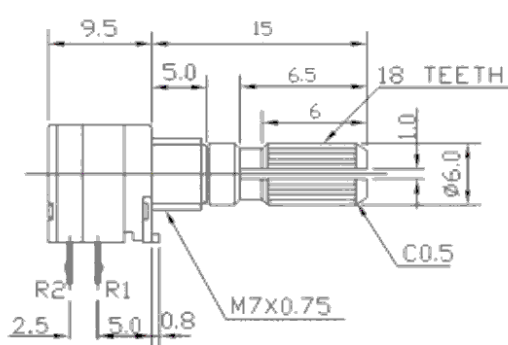
Single Gang

- RP8610 10k Ω Log taper single gang
- RP8616 50k Ω Log taper single gang
- RP8504 1k Ω Linear taper single gang
- RP8510 10k Ω Linear taper single gang
- RP8516 50k Ω Linear taper single gang
- RP8518 100k Ω Linear taper single gang
- RP8524 1M Ω Linear taper single gang

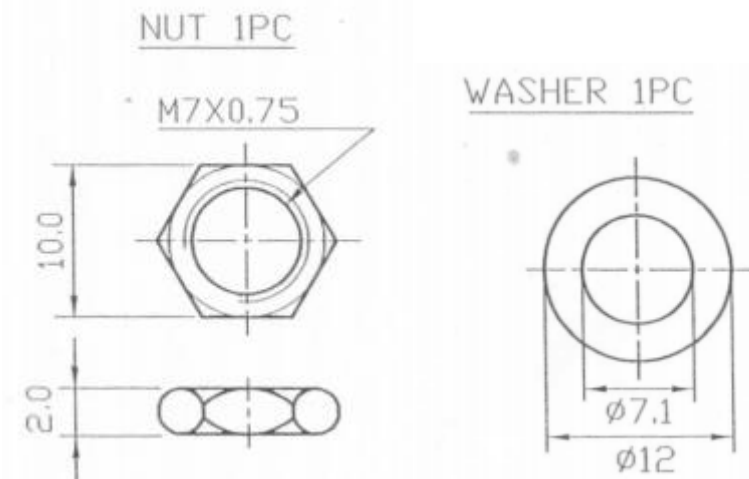


Double Gang

- RP8756 10k Ω Log taper double gang
- RP8760 50k Ω Log taper double gang
- RP8706 10k Ω Linear taper double gang
- RP8710 50k Ω Linear taper double gang
- RP8712 100k Ω Linear taper double gang



Nut and washers for Single Gang and Double Gang:



Specifications:

Rated wattage	0.2W for Log, 0.5W for Linear
Voltage	50VAC
Slider Noise	<100mV
Insulation Resistance	>100MΩ at 250VDC
Dielectric	300VAC/Minute
Tracking Error	Within 3dB at 40-0dB
Rotation Angle	300° +/- 5°
Rotation Torque	20-250gf.cm
Stop Torque	5kgf.cm minimum

Tapers:

Linear (B): Red line

Log (A): Black line

